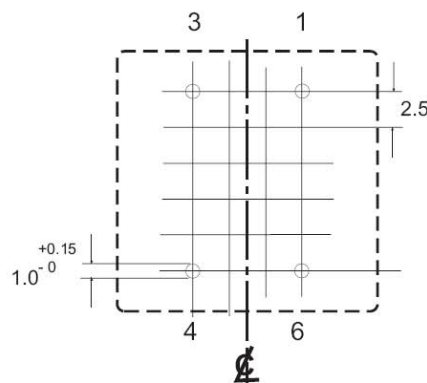


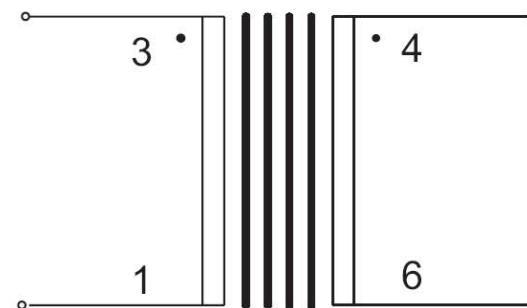


XZZ = date code

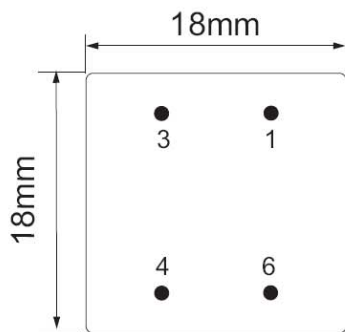
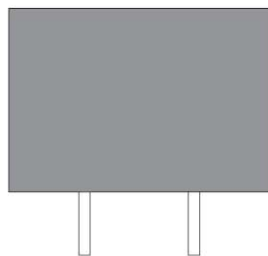
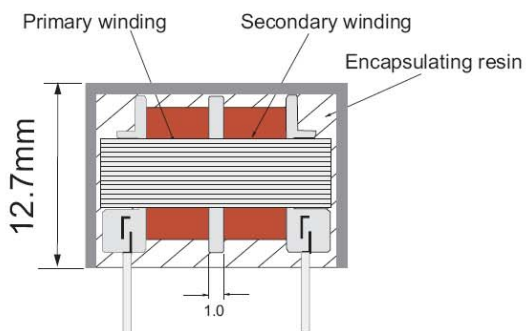


Pin view

Tolerance on all hole positions +/-0.2mm
Pin diameter = 0.6mm



● = electrical start



Electrical Specification:

Primary DC resistance: 68.4 ohms +/- 15%

Secondary DC resistance: 68.4 ohms +/- 15%

Impedance matching:

600 ohms to 600 ohms

Distortion: 0dB/600 ohms. f = 450Hz. 2nd harmonic -88dBm

Insertion loss: 1.5dB max. @ 2kHz

Saturation: 10Vrms, 65V peak @ 50Hz

Return loss -20dB, 200Hz - 4kHz

Inductance, measured at 0.27V, 100Hz, series equivalent

Primary: 3H min.

Secondary: 3H min.

Hi-pot, primary to secondary: 3.5kVrms

Storage temperature range: -25°C to + 85°C

Operating temperature range: 0°C to + 70°C

Approved to EN60950-1:2002

N.B. do not pass DC current through windings



Walters OEP Ltd.

Unit 5, Oxonian Park, Langford Locks,
Kidlington, Oxfordshire. OX5 1FP
Tel: (01865) 855085 Fax: (01865) 855075
Website: www.oep.co.uk

DESCRIPTION	ISSUE	DATE	DRAWN	CHECKED	DRAWING NUMBER
Specification for Z1612E	1	30/03/04	CS		Z1612E
	2	21/06/05	CS		
	3	02/06/09	CS		
Scale: 2 to 1	All dimensions in mm unless stated otherwise				